



**GIOVENZANA
INTERNATIONAL B.V**

AUTOMATION TECHNOLOGIES



AUTOMATION

GENERAL CATALOGUE

GIOVENZANA INTERNATIONAL reserves the right to modify, in order to improve their performance, all technical and functional characteristics of the products shown in the catalogue without prior notice as this information is intended for general knowledge and is not legally binding.

Regolus

Switch - disconnectors

Table of contents



AUTOMATION TECHNOLOGIES



Current rating from 25A up to 160A, panel, base and DIN rail mounting.
Available in the 2, 3 and 4-pole version with central control knob and through shaft.
2 and 3-pole fuse holders for switch-disconnectors up to 32A.

TABLE OF CONTENTS

| | | | |
|--|--------|------------------------------------|--------|
| ■ Table of contents | pag.40 | ■ SE Series: Accessories | pag.57 |
| ■ SQ Series: Base mounting | pag.43 | ■ SQ Series: Characteristic | pag.58 |
| Panel mounting and all complete products | pag.44 | ■ SE Series: Characteristic | pag.60 |
| ■ SE Series: Panel mounting and fuse holders | pag.48 | ■ SQ Series: Examples of mounting | pag.62 |
| Complete products | pag.50 | ■ SE Series: Examples of mounting | pag.64 |
| ■ Plate for fixing with screws | pag.52 | ■ SQ Series: Dimensions | pag.65 |
| ■ Plate for central fixing \varnothing 22 | pag.53 | ■ SE Series: Dimensions | pag.68 |
| ■ SQ Series: Accessories | pag.54 | ■ Enclosed installation dimensions | pag.70 |

Regolus

Switch - Disconnectors

Execution overview

SQ025 - SQ032 SERIES

PANEL MOUNTING



Type R - Fixing with screw

- Rated current from 25A to 40A
- Series modular with 3 extensible poles
- Shaft \square 6 mm - star shape
- Fixing panel spacing 28 mm horizontal with tapping screws
- Terminal protection class IP20
- Modular power and auxiliary contact

SQ025 - SQ032 SERIES

PANEL MOUNTING



Type S for central hole fixing \varnothing 22,5

- Rated current from 25A to 40A
- Series modular with 3 extensible poles
- Fixing panel on central hole \varnothing 22,5 mm
- Terminal protection class IP20
- Modular power and auxiliary contact

SQ025 - SQ032 SERIES

BOX - B



Type B for Door interlock

- Rated current from 25A to 40A
- Series modular with 3 extensible poles
- Fixing box on DIN rail - EN 50022-35 or with screws
- Terminal protection class IP20
- Modular power and auxiliary contact
- Type B: Standard
- Type K: Door Interlock with shaft mounting on the command

BOX - K



SQ025 - SQ032 SERIES

BOX - D



Type D - L1N direct command

- Rated current from 25A to 40A
- Series modular with 3 extensible poles
- Fix box on DIN - DIN-EN 50022-35 or with screw
- Complete with locking knob (1 lck)
- Terminal protection class IP20
- Modular power and auxiliary contact



Regolus

Switch - Disconnectors

Execution overview

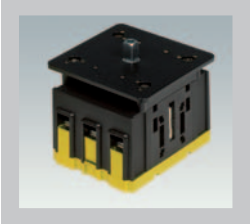


AUTOMATION TECHNOLOGIES

SQ040 - SQ063 SERIES

PANEL MOUNTING

Type R - Fixing with screw



- Rated current from 63A to 80A
- Series modular with 3 extensible poles
- Independent manual operator - snap action
- Control Shaft □ 6 mm
- Fixing panel on distance □ 36 mm vertical - with screw self-tapping
- Terminal protection class IP20
- Modular power and auxiliary contact

SQ040 - SQ063 SERIES

BOX

Type B - Standard for door interlock

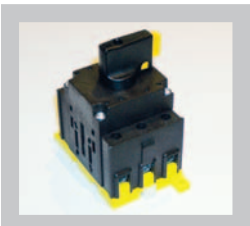


- Rated current from 63A to 80A
- Series modular with 3 extensible poles
- Independent manual operator - snap action
- Fix box on DIN - DIN-EN 50022-35 or with screw
- Terminal protection class IP20
- Modular power and auxiliary contact

SQ040 - SQ063 SERIES

BOX

Type D - L2N - direct command



- Rated current from 63A to 80A
- Series modular with 3 extensible poles
- Independent manual operator - snap action
- Fix box on DIN - DIN-EN 50022-35 or with screw
- Complete of command to knob with locking (1 lck)
- Terminal protection class IP20
- Modular power and auxiliary contact

SQ125 - SQ160 SERIES

BOX

Type D - L2N Direct Command and Standard for door interlock



- Rated current from 125A to 160A
- Modular series with 3 extensible poles
- Central Shaft □ 5 mm
- Fix box on DIN - DIN-EN 50022-35 or with screw
- Complete of locked knob (1 lck) developed for door interlock command
- Modular power and auxiliary contact

Regolus

Switch - Disconnectors

Execution overview

SE16 - SE32 SERIES

PANEL MOUNTING - R



Type R - Fixing with screw - Type S - central fixing \varnothing 22,5

- Rated current from 32A to 40A
- Series with 4 poles
- Star shape control shaft \square 6 mm
- Terminal protection class IP20
- matching with auxiliares contacts
- **Type R:** Fixing panel on distant spacing 28 mm horizontal with
- **Type S:** Fixing panel on central hole \varnothing 22,5

PANEL MOUNTING - S



SE16 - SE32 SERIES

BOX

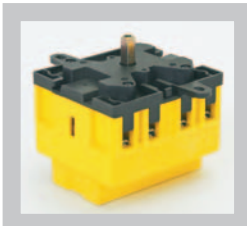


Type B for standard Door interlock

- Rated current from 32A to 40A
- Series with 4 poles
- Throghout metal shaft \square 5mm
- Fixing box on DIN RAIL EN 50022-35
- Terminal protection class IP20
- matching with auxiliares contacts

SE63 - SE100 SERIES

PANEL MOUNTING



Type R - Fixing with screw

- Rated current from 63A to 100A
- Series with 4 poles
- Throghout metal shaft \square 6mm
- Fixing panel on distant 36 mm with metric screws
- Terminal protection class IP20

SE63 - SE100 SERIES

BOX



Type B for standard Door interlock

- Rated current from 63A to 100A
- Series with 4 poles
- Throghout metal shaft \square 6 mm
- Fixing box DIN RAIL DIN-EN 50022-35 or with screws
- Terminal protection class IP20

Regolus

Switch - Disconnectors

SQ Series - Switch body



AUTOMATION TECHNOLOGIES

BASE MOUNTING



Base mounting

- Type B
- Fixing box DIN RAIL DIN-EN 50022-35
- Standard Enclosures for commands, door locking with shaft fixing details



Base mounting

- Type K
- Fixing box DIN RAIL DIN-EN 50022-35
- Standard Enclosures for commands, door locking with shaft fixing on the command

| SERIES | AC-21A AMP. 690V | AC-23A AMP. 400V | DIAGRAMS | | EXECUTION TYPE B | | EXECUTION TYPE K | |
|--------|---------------------|---------------------|----------|---------|------------------|-----------|------------------|-----------|
| | 32 | 25 | 2 POLES | 3 POLES | 2 POLES | 3 POLES | 2 POLES | 3 POLES |
| SQ025 | 32 | 25 | | | SQ025002B | SQ025003B | SQ025002K | SQ025003K |
| SQ032 | 40 | 32 | | | SQ032002B | SQ032003B | SQ032002K | SQ032003K |

PANEL MOUNTING



Panel mounting

- Type R
- For screw fixing



Panel mounting

- Type R
- Fixing panel on central hole \varnothing 22.5

| SERIES | AC-21A AMP. 690V | AC-23A AMP. 400V | DIAGRAMS | | EXECUTION TYPE R | | EXECUTION TYPE S | |
|--------|---------------------|---------------------|----------|---------|------------------|-----------|------------------|-----------|
| | 32 | 25 | 2 POLES | 3 POLES | 2 POLES | 3 POLES | 2 POLES | 3 POLES |
| SQ025 | 32 | 25 | | | SQ025002R | SQ025003R | SQ025002S | SQ025003S |
| SQ032 | 40 | 32 | | | SQ032002R | SQ032003R | SQ032002S | SQ032003S |



Base mounting

- Type B
- Fixing box DIN RAIL DIN-EN 50022-35
- Standard Enclosures for commands, door locking with shaft fixing details



Panel mounting

- Type R
- For screw fixing

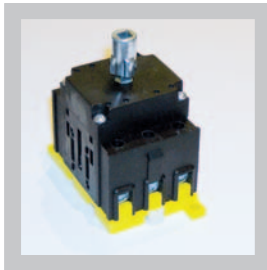
| SERIES | AC-21A AMP. 690V | AC-23A AMP. 400V | DIAGRAMS | | 6 POLES SWITCH | | CHANGEOVER | |
|--------|---------------------|---------------------|----------|---------|----------------|----------------|------------|----------------|
| | 32 | 25 | 6 POLES | 3 POLES | BOX | PANEL MOUNTING | BOX | PANEL MOUNTING |
| SQ025 | 32 | 25 | | | SQ025006B | SQ025006R | SQ025033B | SQ025033R |
| SQ032 | 40 | 32 | | | SQ032006B | SQ032006R | SQ032033B | SQ032033R |

Regolus

Switch - Disconnectors

SQ Series - Switch body - Complete devices

BASE MOUNTING



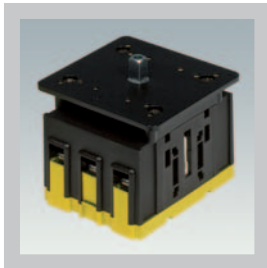
Box mounting

- Type B
- Din rail
DIN-EN 50022-35
- Standard Enclosures for door locking devices



| SERIES | AC-21A AMP. 690V | AC-23A AMP. 400V | DIAGRAMS | | EXECUTION TYPE B | |
|--------|---------------------|---------------------|----------|---------|------------------|-----------|
| | | | 2 POLES | 3 POLES | 2 POLES | 3 POLES |
| SQ040 | 63 | 50 | | | SQ040002B | SQ040003B |
| SQ063 | 80 | 67 | | | SQ063002B | SQ063003B |

PANEL MOUNTING FOR REAR FIXING



Panel mounting

- Type R
- Fixing with screws



| SERIES | AC-21A AMP. 690V | AC-23A AMP. 400V | DIAGRAMS | | EXECUTION TYPE R | |
|--------|---------------------|---------------------|----------|---------|------------------|-----------|
| | | | 2 POLES | 3 POLES | 2 POLES | 3 POLES |
| SQ040 | 63 | 50 | | | SQ040002R | SQ040003R |
| SQ063 | 80 | 67 | | | SQ063002R | SQ063003R |

BASE FIXING WITH DIRECT COMMAND - Complete devices



Direct command

- Type D - L1N
- Box fixing or DIN RAIL
DIN-EN 50022-35
- Black Knob locking
in O/OFF position

SQ025 - SQ032 Series



Direct command

- Type D - L2N
- Box fixing or Din rail
DIN-EN 50022-35
for 46 mm din panel
- Black Knob locking
in O/OFF position

SQ040 - SQ063 Series

| SERIES | AC-21A AMP. 690V | AC-23A AMP. 400V | DIAGRAMS | | EXECUTION TYPE D... | |
|--------|---------------------|---------------------|----------|---------|---------------------|--------------|
| | | | 2 POLES | 3 POLES | 2 POLES | 3 POLES |
| SQ025 | 32 | 25 | | | SQ025002DL1N | SQ025003DL1N |
| SQ032 | 40 | 32 | | | SQ032002DL1N | SQ032003DL1N |
| SQ040 | 63 | 50 | | | SQ040002DL2N | SQ040003DL2N |
| SQ063 | 80 | 67 | | | SQ063002DL2N | SQ063003DL2N |

Regolus

Switch - Disconnectors

SQ125 - SQ160 Series



AUTOMATION TECHNOLOGIES

BASE FIXING WITH DIRECT COMMAND



Direct command

- Type D - L2N
- Box fixing or DIN RAIL
DIN-EN 50022-35
- Black Knob locking (1 lck) in O/OFF position



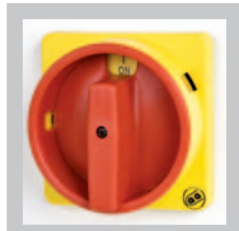
SQ125 - SQ160 Series

| SERIES | AC-21A | AC-23A | DIAGRAMS | | ENCLOSURE TYPE D - L2N | |
|--------|-----------|-----------|----------|---------|------------------------|--------------|
| | AMP. 690V | AMP. 400V | 3 POLES | 4 POLES | 3 POLES | 4 POLES |
| SQ125 | 125 | 125 | | | SQ125003DL2N | SQ125004DL2N |
| SQ160 | 160 | 160 | | | SQ160003DL2N | SQ160004DL2N |

DOOR INTERLOCKS COMMAND



- 67
Locking knob (max.3)
- Black front plate - black knob:
230/0001
- Yellow front plate - red knob:
231/0001



- 92
Locking knob (max.3)
- Black front flange - black knob:
232/0001
- Yellow front flange - red knob:
233/0001

| | | | | | |
|---------------|--|----------|---------------|--|---------|
| SQ125 - SQ160 | | 230/0001 | SQ125 - SQ160 | | 232/001 |
| | | 231/0001 | | | 233/001 |

ELECTRICAL CHARACTERISTIC

| CHARACTERISTICS IEC/EN60947-3 | | SQ125 | SQ160 | Aux. |
|---|------------------|--------|------------|--------------------|
| Rated insulation voltage U_i | V | 800 | 800 | 250 |
| Rated impulse withstand voltage U_{imp} | kV | 8 | 8 | - |
| Rated Thermal current 40° I _{th} -I _{the} | A | 125 | 160 (200*) | 12 |
| RATED OPERATING CURRENT I_e: alternate current | | | | |
| AC-21A Switching resistive loads with light overloads | 690V A | 125 | 160 (200*) | AC-15 415V - 3A |
| AC-22A Switching mixed resistive and inductive loads with light overloads | 690V A | 125 | 160 | |
| AC-23A Periodic Switching of motors | 3 phase - 3 pole | | | |
| | 415V A/kW | 125/55 | 160/75 | |
| | 500V A/kW | 100/63 | 125/80 | |
| | 690V A/kW | 80/75 | 100/90 | |
| DC-23 | 48V A | 125 | 160 | - |
| 2 pole serial connection | 110V A | 125 | 125 | - |
| | 220V A | 100 | 100 | - |
| | | | | |
| Reated breaking capacity AC-23A (cosφ 0,35) | 415V A | 1000 | 1280 | - |
| Conditional rated short circuit | kA | 10,5 | 10,5 | - |
| Fuse rating gG | A | 125 | 125 | - |
| Rated short-time short circuit withstand current I _{cw} (1s) | kA | 3 | 3 | - |
| Power dissipated for pole | W | 2,5 | 3 | - |
| Connectable section | mm ² | 10÷70 | 10÷70 | 2,5 |
| Mechanical life | Nr. of cycles | 15.000 | 15.000 | 500.000 |

* with add terminals 95 mm

Regolus

Switch - Disconnectors

SQ Series - Complete devices

IP65 □ THERMOPLASTIC ENCLOSURES



C01 (120X100X85)

- Open cover in "O" position
- For n°8 cable gland Pg 16 + n°2 closed holes down
- Heat-resistant material
- Box in black - grey cover RAL 7035



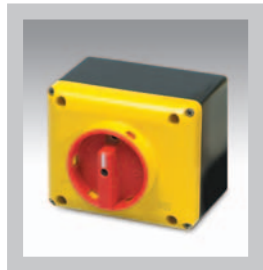
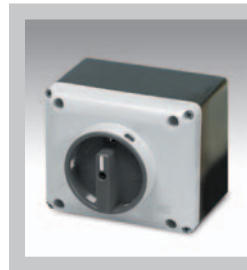
E01 (130X180X106)

- Open cover in "O" position
- For n°4 cable gland M25/M32 + n°2 closed holes down ø 22,5
- Heat-resistant material
- Box in black - grey cover RAL 7035

| SERIES | AC-21A AMP. 690V | | AC-23A AMP. 400V | | DIAGRAMS | | C01 | | E01 | |
|--------|---------------------|----|---------------------|----|----------|---------|--------------|--------------|--------------|--|
| | 32 | 40 | 25 | 32 | 3 POLES | 6 POLES | 3 POLES | 3 POLES | 6 POLES | |
| SQ025 | 32 | | 25 | | | | SQ025003BC01 | - | SQ025006BE01 | |
| SQ032 | 40 | | 32 | | | | SQ032003BC01 | - | SQ032006BE01 | |
| SQ040 | 63 | | 50 | | | | - | SQ040003BE01 | - | |
| SQ063 | 80 | | 67 | | | | - | SQ063003BE01 | - | |

C09 - C10 (120X100X85)

- Open cover in "O" position
- For n°8 cable gland Pg 16 + n°2 closed holes down
- Heat-resistant material
- Locking in O/OFF (max 3 lock)
- Black front flange - Grey cover - Black knob: **C09**
- Yellow front flange - Red knob: **C10**



| SERIES | AC-21A AMP. 690V | | AC-23A AMP. 400V | | DIAGRAMS | | C09 | | C10 | |
|--------|---------------------|----|---------------------|----|----------|---------|--------------|--------------|-----|--|
| | 32 | 40 | 25 | 32 | 3 POLES | 6 POLES | 3 POLES | 3 POLES | | |
| SQ025 | 32 | | 25 | | | | SQ025003BC09 | SQ025003BC10 | | |
| SQ032 | 40 | | 32 | | | | SQ032003BC09 | SQ032003BC10 | | |

E09 - E10 (130X180X106)

- Open cover in "O" position
- For n°4 cable gland M25/M32 + n°2 closed holes down ø 22,5
- Heat-resistant material
- Locking in O/OFF (max 3 lock)
- Black front flange - Black knob: **E09**
- Yellow front flange - Red knob: **E10**



| SERIES | AC-21A AMP. 690V | | AC-23A AMP. 400V | | DIAGRAMS | | E09 | | E10 | |
|--------|---------------------|----|---------------------|----|----------|---------|--------------|--------------|--------------|--------------|
| | 32 | 40 | 25 | 32 | 3 POLES | 6 POLES | 3 POLES | 6 POLES | | |
| SQ025 | 32 | | 25 | | | | - | SQ025006BE09 | - | SQ025006BE10 |
| SQ032 | 40 | | 32 | | | | - | SQ032006BE09 | - | SQ032006BE10 |
| SQ040 | 63 | | 50 | | | | SQ040003BE09 | - | SQ040003BE10 | - |
| SQ063 | 80 | | 67 | | | | SQ063003BE09 | - | SQ063003BE10 | - |

Regolus

Switch - Disconnectors

SQ Series - Complete devices



AUTOMATION TECHNOLOGIES

IP65 - METAL - BOX ENCLOSURES

A09 - A10 (105X140X85)

- Open cover in "O" position
- For n°4 cable glands M25/M32 + n°2 hole plugs M20 and M25
- Material Zn - Al
- Locking in O/OFF (max 3 lock)
- Black Box - Grey front flange - Black knob: **A09**
- Black Box - Yellow front flange - Red knob: **A10**



| SERIES | DIAGRAMS | | A09 | | A10 | |
|--------|---------------------|---------------------|--------------|--|--------------|--|
| | AC-21A AMP. 690V | AC-23A AMP. 400V | 3 POLES | | 3 POLES | |
| SQ025 | 32 | 25 | SQ025003DA09 | | SQ025003DA10 | |
| SQ032 | 40 | 32 | SQ032003DA09 | | SQ032003DA10 | |

AB9 - ABO (150X200X110)

- Open cover in "O" position
- N°2 hole plugs M40
- Material Zn - Al
- Locking in O/OFF (max 3 lock)
- Black Box - Grey front flange - Black knob: **AB9**
- Black Box - Yellow front flange - Red knob: **ABO**



| SERIES | DIAGRAMS | | AB9 | | ABO | |
|--------|---------------------|---------------------|--------------|--------------|--------------|--------------|
| | AC-21A AMP. 690V | AC-23A AMP. 400V | 3 POLES | 4 POLES | 3 POLES | 4 POLES |
| SQ040 | 63 | 50 | SQ040003DAB9 | SQ040004DAB9 | SQ040003DAB0 | SQ040004DAB0 |
| SQ063 | 80 | 63 | SQ063003DAB9 | SQ063004DAB9 | SQ063003DAB0 | SQ063004DAB0 |

Regolus

Switch - Disconnectors

SE Series - Switch body

BASE FIXING



Base fixing

Type B

Base fixing or Din rail
DIN-EN 50022-35

Door locking execution

SE16 - SE32



Base fixing

Type B

Base fixing or Din rail
DIN-EN 50022-35 or with screws

Door locking execution

SE63 - SE80 - SE100

DIAGRAMS

| SERIES | AC-21A AMP. 690V | AC-23A AMP. 400V | | EXECUTION TYPE B | | | | |
|--------|---------------------|---------------------|--|------------------|---------|------------|------------|------------|
| | | | | 2 POLES | 3 POLES | 4 POLES | | |
| SE16 | 32 | 25 | | | | SE1610F2B | SE163003B | SE163004B |
| SE32 | 40 | 32 | | | | SE3210F2B | SE323003B | SE323004B |
| SE63 | 63 | 50 | | | | SE630002B | SE630003B | SE630004B |
| SE80 | 80 | 60 | | | | SE800002B | SE800003B | SE800004B |
| SE100 | 100 | 67 | | | | SE1000002B | SE1000003B | SE1000004B |

PANEL MOUNTING



Panel mounting

Type R

Fixing with screws

SE16 - SE32



Panel mounting

Type R

Fixing with screws

SE63 - SE80 - SE100

DIAGRAMS

| SERIES | AC-21A AMP. 690V | AC-23A AMP. 400V | | EXECUTION TYPE R | | | | |
|--------|---------------------|---------------------|--|------------------|---------|------------|------------|------------|
| | | | | 2 POLES | 3 POLES | 4 POLES | | |
| SE16 | 32 | 25 | | | | SE1610F2R | SE163003R | SE163004R |
| SE32 | 40 | 32 | | | | SE3210F2R | SE323003R | SE323004R |
| SE63 | 63 | 50 | | | | SE630002R | SE630003R | SE630004R |
| SE80 | 80 | 60 | | | | SE800002R | SE800003R | SE800004R |
| SE100 | 100 | 67 | | | | SE1000002R | SE1000003R | SE1000004R |



Panel mounting

Type S

Central fixing hole \varnothing 22.5

SE16 - SE32

DIAGRAMS

| SERIES | AC-21A AMP. 690V | AC-23A AMP. 400V | | EXECUTION TYPE S | | | | |
|--------|---------------------|---------------------|--|------------------|---------|-----------|-----------|-----------|
| | | | | 2 POLES | 3 POLES | 4 POLES | | |
| SE16 | 32 | 25 | | | | SE1610F2S | SE163003S | SE163004S |
| SE32 | 40 | 32 | | | | SE3210F2S | SE323003S | SE323004S |

Regolus

Switches - Disconnectors with fuses holders

SE Series - Panel mounting bases



AUTOMATION TECHNOLOGIES

PANEL MOUNTING BASES FOR ENCLOSURES



DISCONNECTOR WITH FUSE-HOLDERS

Type B box
DIN EN 50022-35
rail mounting for door
interlocks knobs
Sectionable fuses holders
For cylindrical fuses
10.3x3 8mm UL

FS20 - FS30



SECTIONABLE FUSES HOLDER

For disconnectors series
SE16-SE32 2-3-4 poles type B box
For cylindrical fuses 10.3x38
mm max. 32A
IP20 terminals protection

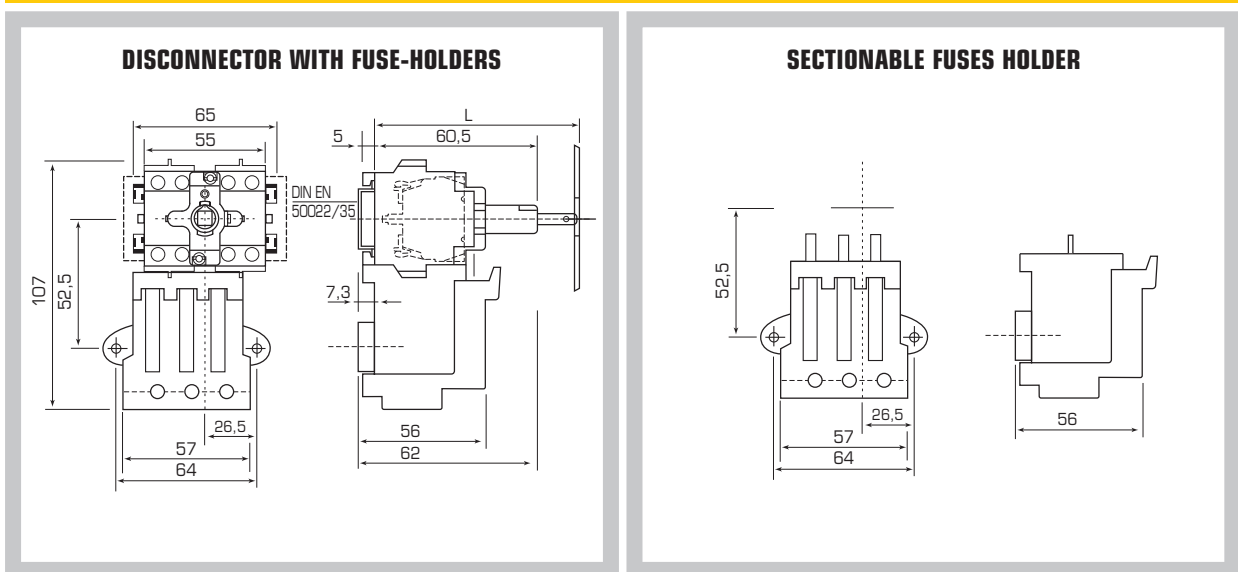
TF322 - TF323

DISCONNECTOR WITH FUSE-HOLDERS

FUSE-HOLDERS

| SERIES | AC-21A AMP. 690V | UL GENERAL USE AMP./600V | 2 POLES | | 3 POLES | | 4 POLES | | 2 POLES | | 3 POLES | |
|--------|---------------------|--------------------------------|-----------|-----------|-----------|-----------|-----------|-----------|-----------|-----------|-----------|-----------|
| | | | Diagram 1 | Diagram 2 | Diagram 1 | Diagram 2 | Diagram 1 | Diagram 2 | Diagram 1 | Diagram 2 | Diagram 1 | Diagram 2 |
| FS20 | 25 | 20 | FS2010F2B | FS203003B | FS203004B | TF322 | TF323 | | | | | |
| FS30 | 32 | 30 | FS3010F2B | FS303003B | FS303004B | | | | | | | |

OVERALL DIMENSIONS



MOUNTING DEPTH

| | WITH STANDARD SHAFT | WITH SHAFT EXECUTION 20401089 |
|--------|---------------------|-------------------------------|
| L min. | 80 | 80 |
| L max. | 120 | 220 |

Regolus

Switches - Disconnectors

SE Series - Complete devices

IP65 □ THERMOPLASTIC ENCLOSURES



C01 (120X100X85)

- Opening in "O" position
- Nr. 8 Pg16 knock-outs of which nr. 2 on the bottom
- Heat-resistant material
- Black box - Grey cover
RAL 7035



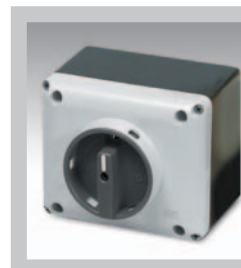
E01 (130X180X106)

- Opening in "O" position
- Nr. 4 knock-outs M25/M32 + nr. 2 ø 22 mm closed hole on the bottom
- Heat-resistant material
- Black box - Grey cover
RAL 7035

| SERIES | AC-21A AMP. 690V | AC-23A AMP. 400V | DIAGRAMS | | C01 | | E01 | |
|--------|---------------------|---------------------|----------|---------|--------------|--------------|--------------|--------------|
| | | | 3 POLES | 4 POLES | 3 POLES | 4 POLES | 3 POLES | 4 POLES |
| SE16 | 32 | 25 | | | SE160003BC01 | SE160004BC01 | - | - |
| SE32 | 40 | 32 | | | SE320003BC01 | SE320004BC01 | - | - |
| SE63 | 63 | 50 | | | - | - | SE630003BE01 | SE630004BE01 |
| SE80 | 80 | 60 | | | - | - | SE800003BE01 | SE800004BE01 |
| | | | | | | | | |

C09 - C10 (120X100X85)

- Opening in "O" position
- Nr. 8 Pg16 cable glands of which nr. 2 on the bottom
- Heat-resistant material
- With locking facility in O/OFF (max 3 padlocks)
- Black box - Grey cover - Black knob: **C09**
- Black box - Yellow cover - Red knob: **C10**



| SERIES | AC-21A AMP. 690V | AC-23A AMP. 400V | DIAGRAMS | | C09 | | C10 | | |
|--------|---------------------|---------------------|----------|---------|--------------|--------------|--------------|--------------|--|
| | | | 3 POLES | 4 POLES | 3 POLES | 4 POLES | | | |
| SE16 | 32 | 25 | | | SE160003BC09 | SE160004BC09 | SE160003BC10 | SE160004BC10 | |
| SE32 | 40 | 32 | | | SE320003BC09 | SE320004BC09 | SE320003BC10 | SE320004BC10 | |
| | | | | | | | | | |
| | | | | | | | | | |
| | | | | | | | | | |

E09 - E10 (130X180X106)

- Opening in "O" position
- Nr. 4 M25/M32 cable glands + nr. 2 ø 22 mm closed hole on the bottom
- Heat-resistant material
- With locking facility in O/OFF (max 3 padlocks)
- Black box - Grey cover - Black knob: **E09**
- Black box - Yellow cover - Red knob: **E10**



| SERIES | AC-21A AMP. 690V | AC-23A AMP. 400V | DIAGRAMS | | E09 | | E10 | | |
|--------|---------------------|---------------------|----------|---------|--------------|--------------|--------------|--------------|--|
| | | | 3 POLES | 4 POLES | 3 POLES | 4 POLES | | | |
| SE63 | 63 | 50 | | | SE630003BE09 | SE630004BE09 | SE630003BE10 | SE630004BE10 | |
| SE80 | 80 | 60 | | | SE800003BE09 | SE800004BE09 | SE800003BE10 | SE800004BE10 | |
| | | | | | | | | | |
| | | | | | | | | | |
| | | | | | | | | | |

Regolus

Switches - Disconnectors

SE Series - Complete devices



AUTOMATION TECHNOLOGIES

IP65 □ THERMOPLASTIC ENCLOSURES

C41 - C42 (140X230X114)

- Opening in "O" position
- Complete with nr.2 M32 and nr. 2 M40 hole plugs
- Heat-resistant material
- With locking facility in O/OFF (max 3 padlocks)
- Black box - Yellow cover - Red knob: **C41**
- Black box - Grey cover - Black knob: **C42**



| SERIES | AC-21A | AC-23A | DIAGRAMS | | C41 | | C42 | |
|--------|-----------|-----------|----------|---------|---------------|---------------|---------------|---------------|
| | AMP. 690V | AMP. 400V | 3 POLES | 4 POLES | 3 POLES | 4 POLES | 3 POLES | 4 POLES |
| SE100 | 100 | 67 | | | SE1000003BC41 | SE1000004BC41 | SE1000003BC42 | SE1000004BC42 |

IP65 METAL ENCLOSURES

A09 - A10 (105X140X85)

- Opening in "O" position
- Complete with nr. 2 M20 and nr. 2 M25 hole plugs
- Zn - Al material
- With locking facility in O/OFF (max 3 padlocks)
- Black box - Grey cover - Black knob: **A09**
- Black box - Yellow cover - Red knob: **A10**



| SERIES | AC-21A | AC-23A | DIAGRAMS | | A09 | | A10 | |
|--------|-----------|-----------|----------|---------|--------------|--------------|--------------|--------------|
| | AMP. 690V | AMP. 400V | 3 POLES | 4 POLES | 3 POLES | 4 POLES | 3 POLES | 4 POLES |
| SE16 | 32 | 25 | | | SE160003BA09 | SE160004BA09 | SE160003BA10 | SE160004BA10 |
| SE32 | 40 | 32 | | | SE320003BA09 | SE320004BA09 | SE320003BA10 | SE320004BA10 |

AB9 - ABO (150X200X110)

- Opening in "O" position
- Complete with nr.2 M40 hole plugs
- Zn - Al material
- With locking facility in O/OFF (max 3 padlocks)
- Black box - Grey cover - Black knob: **AB9**
- Black box - Yellow cover - Red knob: **ABO**









| SERIES | AC-21A | AC-23A | DIAGRAMS | | AB9 | | ABO | |
|--------|-----------|-----------|----------|---------|---------------|---------------|---------------|---------------|
| | AMP. 690V | AMP. 400V | 3 POLES | 4 POLES | 3 POLES | 4 POLES | 3 POLES | 4 POLES |
| SE63 | 63 | 50 | | | SE630003BA09 | SE630004BA09 | SE630003BABO | SE630004BABO |
| SE80 | 80 | 60 | | | SE800003BA09 | SE800004BA09 | SE800003BABO | SE800004BABO |
| SE100 | 100 | 67 | | | SE1000003BA09 | SE1000004BA09 | SE1000003BABO | SE1000004BABO |

Regolus

Plates - screw fixing

Panel mounting bases Type R - door interlock for Type B and K bases

EN60529 IP65 - UL50 Type 1 - 4 - 4x (*) NEMA 4X PROTECTION

| | DESCRIPTION | FOR SERIES | PANEL MOUNTING | DOOR INTERLOCK | |
|---|--|----------------|------------------|------------------|------------------|
| | | | FOR TYPE R BASES | FOR TYPE B BASES | FOR TYPE K BASES |
|  | Grey plate Black knob | SQ025 - SQ032 | 001/0001 | 020/0001 | - |
| | | SE16 - SE32 | | | - |
| □48 | | | | | |
|  | Grey plate Black knob With locking facility | SQ025 - SQ032 | ♦003/0001 | ♦005/0001 | - |
| | | SE16 - SE32 | | | - |
| □48 | | | | | |
|  | Grey plate Black knob With locking facility (Max3) | SQ025 - SQ032 | ♦009/0001 | ♦011/0001 | - |
| | | SE16 - SE32 | | | 091/0001 |
| | | SQ040 - SQ063 | ♦049/0001 | ♦041/0001 | - |
| | | SE63.....SE100 | | | - |
| □67 | | | | | |
|  | Yellow plate Red knob | SQ025 - SQ032 | 002/0001 | 030/0001 | - |
| | | SE16 - SE32 | | | - |
| □48 | | | | | |
|  | Yellow plate Red knob With locking facility | SQ025 - SQ032 | ♦004/0001 | ♦006/0001 | - |
| | | SE16 - SE32 | | | - |
| □48 | | | | | |
|  | Yellow plate Red knob With locking facility (Max3) | SQ025 - SQ032 | ♦010/0001 | ♦012/0001 | - |
| | | SE16 - SE32 | | | - |
| | | SQ040 - SQ063 | ♦050/0001 | ♦042/0001 | - |
| | | SE63.....SE100 | | | - |
| □67 | | | | | |

♦ See p/n devices

Regolus


Plates - ø 22 hole central fixing

Panel mounting bases S Type - door interlock for B Type



AUTOMATION TECHNOLOGIES

EN60529 IP65 - UL50 Type 1 - 4 - 4x (*) NEMA 4X PROTECTION

| | DESCRIPTION | FOR SERIES | PANEL MOUNTING | DOOR INTERLOCK |
|---|---|----------------|------------------|------------------|
| | | | FOR TYPE S BASES | FOR TYPE B BASES |
|  | Grey plate Black knob □48 | SQ025 - SQ032 | 079/0001 | 095/0001 |
| | | SE16 - SE32 | 079/0001 | |
|  | Grey plate Black knob With locking facility □48 | SQ025 - SQ032 | ♦087/0001 | ♦077/0001 |
| | | SE16 - SE32 | ♦087/00E1 | |
|  | Grey plate Black knob With locking facility (Max3) □67 | SQ025 - SQ032 | ♦089/0001 | ♦063/0001 |
| | | SE16 - SE32 | ♦089/00E1 | |
| | | SQ040 - SQ063 | - | ♦065/0001 |
| | | SE63.....SE100 | - | |
|  | Yellow plate Red knob □48 | SQ025 - SQ032 | 080/0001 | 070/0001 |
| | | SE16 - SE32 | 080/0001 | |
|  | Yellow plate Red knob With locking facility □48 | SQ025 - SQ032 | ♦088/0001 | ♦069/0001 |
| | | SE16 - SE32 | ♦088/00E1 | |
|  | Yellow plate Red knob With locking facility (Max3) □67 | SQ025 - SQ032 | ♦090/0001 | ♦064/0001 |
| | | SE16 - SE32 | ♦090/00E1 | |
| | | SQ040 - SQ063 | - | ♦066/0001 |
| | | SE63.....SE100 | - | |

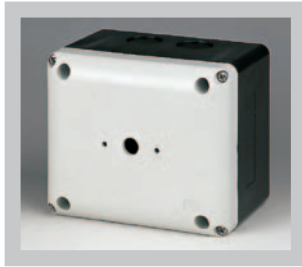
♦ See p/n devices

Regolus

Switch - Disconnectors

SQ025 - SQ032 Series - Accessories

IP65 - THERMOPLASTIC BOX



For SQ025 - SQ032 Series
For Panel mounting basis type "R"
Black Box - Grey Cover
RAL 7035
Dimensions: 120X100X85 mm
For nr. 8 M20 cable glands
M20



SQ025 - SQ032 Series **4 Poles Max.** **BF3/FNGO**

IP65 - THERMOPLASTIC BOX

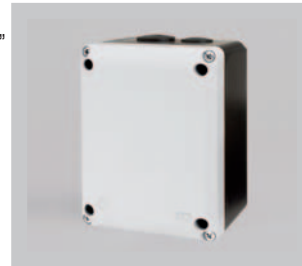


For SQ025-SQ032 Series
For Bodies-Panel mounting type "R"
Black Box - Grey Cover
RAL 7035
Dimensions: 130X180X106 mm
For n°4 cable glands
M25/M32



SQ025 - SQ032 Series **6 Poles Max.** **BF4/DNGO**

IP65 - METAL BOX - CLOSED



For SQ025-SQ032 Series
For Bodies-Panel mounting type
"B" and "R"
Black Box - Grey Cover
RAL 7035
Dimensions: 105X140X85 mm
For n°2 M20 and
n°2 M25 cable glands



SQ025 - SQ032 Series **4 Poles Max.** **BFA/ONGA**

ADDITIONAL POLES



| SERIES | DIAGRAM | CODE - BOX | CODE - PANEL MOUNTING |
|--------|---------|------------|-----------------------|
| SQ025 | | SQ025AFPB | SQ025AFPR |
| | | SQ032AFPB | SQ032AFPR |
| SQ032 | | SQ025ANIB | SQ025ANIR |
| | | SQ032ANIB | SQ032ANIR |
| | | SQ025ANPB | SQ025ANPR |
| | | SQ032ANPB | SQ032ANPR |
| | | SQ025APEB | SQ025APER |
| | | SQ032APEB | SQ032APER |

AUXILIARY CONTACTS



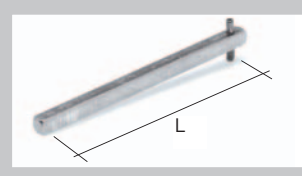
| SERIES | DIAGRAM | CODE - BOX | CODE - PANEL MOUNTING |
|--------|---------|------------|-----------------------|
| SQ025 | | SQ010AS1B | SQ010AS1R |
| | | | SQ010AS2B |
| SQ032 | | | |

TERMINAL PROTECTION



| BOX | PANEL MOUNTING | BOX AND PANEL MOUNTING |
|----------|----------------|------------------------|
| 20900023 | 20900024 | 20900025 |

SHAFT EXTENSION 5 DOOR INTERLOCK BASIS TYPE B



| FOR INTERLOCK BASIS TYPE B | |
|----------------------------|----------|
| L 185 mm | 20401089 |
| L 300 mm | 20401164 |

FIXING KEY



| |
|-----|
| PCF |
|-----|

Regolus

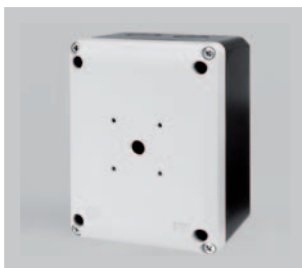
Switch - Disconnectors

SQ040 - SQ063 Series - Accessories



AUTOMATION TECHNOLOGIES

IP65 - THERMOPLASTIC BOX

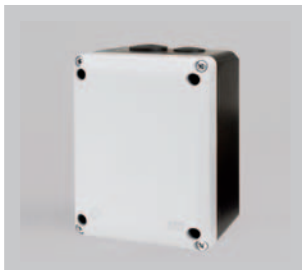


For SQ040 - SQ063 Series
For Panel mounting basis type "R"
Black Box - Grey Cover
RAL 7035
Dimensions: 130x180x106 mm.
For nr. 4 M25/M32 cable glands



SQ040 - SQ063 Series **4 Poles Max.** BFA/DNGO

IP 65 - METAL BOX - CLOSED

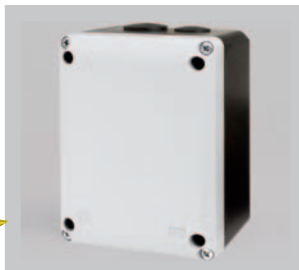


For SQ040 - SQ063 Series
For Bodies-Panel mounting type "R"
Black Box - Grey Cover
RAL 7035
Dimensions: 105x140x85 mm.
Complete with nr. 2 M40 cable glands



SQ040 - SQ063 Series **3 Poles Max.** BNA/ONGA

IP 65 - METAL BOX - CLOSED



For SQ040 - SQ063 Series
For Bodies-Panel mounting type "B" and "R"
Black Box - Grey Cover
RAL 7035
Dimensions: 150x200x110 mm.
Complete with nr. 2 cable glands M40

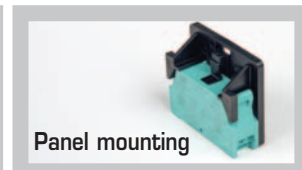


SQ040 - SQ063 Series **4 Poles Max.** BNA/ENGA

ADDITIONAL POLES



AUXILIARY CONTACTS



| SERIES | DIAGRAM | CODE - BOX | CODE - PANEL MOUNTING |
|--------|---------|------------|-----------------------|
| SQ040 | | SQ040AFPB | SQ040AFPR |
| | | SQ063AFPB | SQ063AFPR |
| SQ063 | | SQ040ANIB | SQ040ANIR |
| | | SQ063ANIB | SQ063ANIR |
| | | SQ040ANPB | SQ040ANPR |
| | | SQ063ANPB | SQ063ANPR |
| | | SQ040APEB | SQ040APER |
| | | SQ063APEB | SQ063APER |

| SERIES | DIAGRAM | CODE - BOX | CODE - PANEL MOUNTING |
|--------|---------|------------|-----------------------|
| SQ040 | | SQ010AS3B | SQ010AS3R |
| | | | |
| SQ063 | | SQ010AS4B | SQ010AS4R |
| | | | |

TERMINAL PROTECTION



SQ040 - SQ063 SERIES
3 POLES

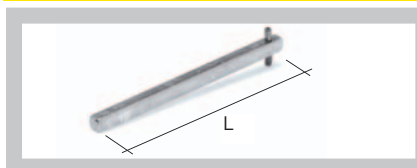
BOX AND PANEL MOUNTING
20900041



SQ040 - SQ063 SERIES
1 POLE

BOX AND PANEL MOUNTING
20900040

SHAFT EXTENSION 6 FOR DOOR INTELLOCK



SQ040 - SQ063 SERIES

| | |
|----------|----------|
| L 185 mm | 20900010 |
| L 300 mm | 20900011 |



Regolus

Switch - Disconnectors

SQ125 - SQ160 Series - Accessories

ADDITIONAL POLES



| SERIES | DIAGRAM | CODE |
|--------|---------|-----------|
| SQ125 | 7 — 8 | SQ160AFPB |
| SQ160 | N — N | SQ160ANPB |
| | PE — PE | SQ160APEB |



AUXILIARIES CONTACTS



| SERIES | DIAGRAM | CODE |
|--------|---------|-----------|
| SQ125 | 1 — 2 | SQ003AS5B |
| SQ160 | 1 — 4 | |

COVER-CLAMP



3 POLES

20900034

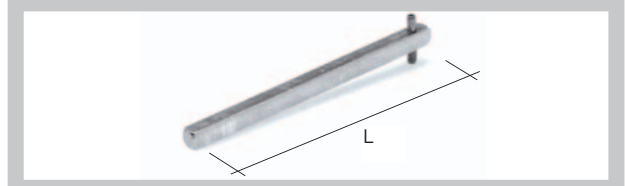


1 POLE

20900035



SHAFT EXTENTION 6 FOR DOOR INTELOCK



SQ040 - SQ063 SERIES

L 185 mm

20900010

L 300 mm

20900011

CLAMP 95 mm²



20900036



Regolus

Switch - Disconnectors

SE16 - SE100 Series - Accessories



AUTOMATION TECHNOLOGIES

IP65 - THERMOPLASTIC BOX



For SE16 - SE32 Series
For Panel mounting basis type "B"
Black Box - Grey Cover
RAL 7035
Dimensions: 120X100X85 mm
For nr. 8 M20 cable glands
Order also:
Shaft 11706237
Plate support 11814005

SE16 - SE32...B SERIES
BF1/1NGO



For SE16 - SE32 Series
For Panel mounting basis type "R"
Black Box - Grey Cover
RAL 7035
Dimensions: 120X100X85 mm
For nr. 8 M20 cable glands

SE16 - SE32...R SERIES
BF1/2NGO

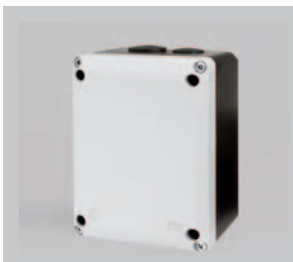
IP65 - THERMOPLASTIC BOX - CLOSED



For SE16 - SE32 Series
For Panel mounting basis type "R"
Black Box - Grey Cover
RAL 7035
Dimensions: 120X100X85 mm
For nr. 8 M20 cable glands

SE16 - SE32...R SERIES
BN1/ONGO

IP65 - ALUMINIUM BOX - CLOSED



For SE16 - SE32 Series
For Panel mounting basis type B and R
Black Box - Grey Cover
RAL 7035
Dimensions: 105X140X85 mm
Complete with nr. 2 M20 and M25 cable glands taps

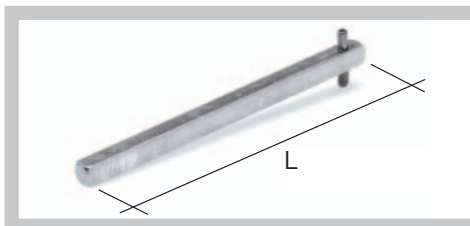
SE16 - SE32 SERIES
BNA/ONGA

BOX FIXING PLATE



SE16-SE32 SERIES
11814005

SHAFT EXTENTION FOR BOX EXECUTION



| | SE16-SE32 | SE63...SE100 |
|----------|-----------|--------------|
| L 185 mm | 20401089 | 20900010 |
| L 300 mm | 20401164 | 20900011 |

BOX SHAFT BF1/1NGO



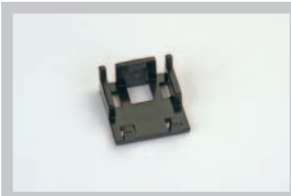
SE16-SE32 SERIES
11706237

AUXILIARIES CONTACTS



SE16 - SE32 SERIES
1 NC PLO04001
1 NO PLO04002

AUXILIARY CONTACT FIXING PLATE



SE16 - SE32 SERIES
11814021

COVER-CLAMP



SE63...SE100 SERIES
4 POLES BOX AND PANEL MOUNTING
20900003

Regolus

Switch - Disconnectors - SQ Series

Electrical characteristics

| EN 60947-3 CHARACTERISTICS | | | SQ025 | SQ032 | SQ040 | SQ063 | AUXILIARIES CONTACTS |
|--|------------------------|-----------------|----------|---------|---------|---------|-----------------------|
| Rated operating voltage Ue | V | | 690 | 690 | 690 | 690 | 690 |
| Rated insulation voltage Ui | V | | 690 | 690 | 690 | 690 | 690 |
| Rated impulse withstand voltage Uimp (sectionable) | kV | | 8 | 8 | 8 | 8 | 4 |
| Rated thermal current Ith | A | | 32 | 40 | 63 | 80 | 16 |
| Rated thermal current in enclosed Ithe | A | | 32 | 40 | 63 | 80 | 10 |
| Frequency | Hz | | 50/60 | 50/60 | 50/60 | 50/60 | 50/60 |
| RATED OPERATING CURRENT Ie: alternate current | | | | | | | |
| AC-21A Switching resistive loads with light overloads | 690V | A | 32 | 40 | 63 | 80 | AC-15 240V - 5A |
| AC-22A Switching mixed resistive and inductive loads at light overloads | 500V | A | - | - | - | - | DC-13 250V-0,44A |
| | 690V | A | 25 | 32 | 63 | 80 | |
| AC-23A Periodic switching of motors 3 phase - 3 poles | 230V | A/kW | 25/7,5 | 32/10 | 63/20 | 80/25 | - |
| | 400V | A/kW | 25/15 | 32/18,5 | 50/28 | 75/42 | - |
| | 500V | A/kW | 25/15 | 32/22 | 50/35 | 75/52 | - |
| | 690V | A/kW | 16/15 | 20/18,5 | 26/25 | 32/31 | - |
| AC3 Starting of cage motors (interruption while running) 3 phase - 3 poles | 230V | A/kW | 22/5,5 | 27/7,5 | 45/14 | 60/19 | - |
| | 400V | A/kW | 22/11 | 27/15 | 40/22 | 55/30 | - |
| | 500V | A/kW | 22/11 | 27/18,5 | 35/24 | 45/31 | - |
| | 690V | A/kW | 16/11 | 20/15 | 22/21 | 25/24 | - |
| Nominal interruption power AC-23A (cosφ 0,45) | 230V | A | 200 | 256 | 360 | 600 | - |
| | 400V | A | 200 | 256 | 320 | 536 | - |
| | 500V | A | 200 | 256 | 280 | 536 | - |
| | 690V | A | 128 | 160 | 176 | 256 | - |
| SHORT CIRCUIT CHARACTERISTICS | | | | | | | |
| Rated short-time short circuit withstand current Icw (1s) | A | | 800 | 800 | 1200 | 1500 | - |
| Rated short circuit making capacity Icm | A | | 1500 | 1500 | 2200 | 2800 | - |
| Conditional rated short circuit withstand current | kA | | 10 | 10 | 10 5 | 10 5 | 1 |
| Fuse rating gG | 500V | A | - | - | - | - | 10 |
| | 690V | A | 40 | 40 | 63 80 | 63 80 | - |
| UL 508 CHARACTERISTICS | | | | | | | |
| General use | 600V ac | A | 32 | 40 | 60 | 80 | HD A600 ac G600 dc |
| Standard motors load | Single phase - 2 poles | 120V ac HP(FLA) | 1,5 (20) | 2 (24) | - | - | - |
| | | 200: 208V ac HP | 2 | 3 | - | - | - |
| | | 240V ac HP(FLA) | 3 (17) | 5 (28) | - | - | - |
| | | 200: 208V ac HP | 7,5 | 10 | 15 | 20 | - |
| | 3 phase - 3 poles | 240V ac HP(FLA) | 7,5 (22) | 10 (28) | 15 | 20 | - |
| | | 480V ac HP(FLA) | 10 (14) | 15 (21) | 30 | 40 | - |
| | | 600V ac HP(FLA) | 15 (17) | 20 (22) | 30 | 40 | - |
| | | | | | | | |

Regolus

Switch - Disconnectors - SQ Series

General characteristics



AUTOMATION TECHNOLOGIES

| | IEC/EN60947-3 - UL508 | | IEC/EN60947-5-1 - UL508 | |
|--|-----------------------|------------------|--|--|
| | SQ032 - SQ040 | | AUXILIARIES CONTACTS | |
| Comply with rules | | | | |
| Protection class | control | EN60529 (UL 50♦) | IP65 (Type 1 - 4 - 4X - NEMA 4X) | |
| | terminals | EN60529 | IP20 | |
| Material group | EN60947-1 | | II | |
| Pollution grade | EN60947-1 | | 3 | |
| Flammability | UL94 | | VO: powered parts | |
| Ambient temperature | °C | | Operating : -25 +55 | |
| | °C | | Storage : -30 +70 | |
| Climate withstand | IEC68 part 2-3 | | Hot damp | |
| | IEC68 part 2-30 | | Unsettled hot damp | |
| Switching force (3 poles) | | | 0,8 Nm (7,1 lb.in.) | 1 Nm (8,85 lb.in.) |
| Connections: | | | | |
| Terminal block caliber | EN60947-1 | | A6 | A8 |
| Terminal screw | | | M4 | M5 |
| Screwing torque | EN60947-1 | | 1,2 Nm | 3 Nm |
| | UL 508 | | 10,6 lb.in. (1,2 Nm) | 32,0 lb.in. (3,6 Nm) |
| Connectable section: | | | | |
| Flexible conductors | n°. 1 min/max | mm² | 1,5-10 | 6-25 |
| | AWG | | 12-6 | 10-2 |
| Solid conductors | n°. 1 min/max | mm² | 1,5-16 | 10-35 |
| | AWG | | 12-6 | 10-2 |
| Contacts | | | Slow opening double-break positive opening | Slow opening double-break positive opening |
| Opening angles | | | 90° | |
| Mechanical lifetime at 120 operations per hour mil/cl | nr. of cycles | | 100.000 | 10.000 |
| | | | 1.500.000 | |
| CERTIFICATIONS | | | SQ025 | SQ032 |
| CE mark - Europa | | | ■ | ■ |
| cUL Listed - Usa and Canada | | | ● | ● |
| IMQ Istituto Marchio Qualità - Italia | | | ● | ● |
| CCC Cina | | | - | - |
| GOST Russia | | | - | - |
| | | | SQ040 | SQ063 |
| | | | ■ | ■ |
| | | | ● | ● |
| | | | ● | ● |
| | | | - | - |
| | | | - | - |
| | | | | AUXILIARIES CONTACTS |
| | | | | ■ |
| | | | | ● |
| | | | | ● |
| | | | | ● |
| | | | | ● |
| | | | | ● |

♦ See p/n devices

■ Comply to the requirements by passed test

● Approved

Regolus

Switch - Disconnectors - SE Series

Electrical characteristics

EN 60947-3 CHARACTERISTICS

| | | SE16 | SE32 | SE63 | SE80 | SE100 |
|--|----|----------|------|------|------|-------|
| Rated operating voltage U _e | V | 690* | 690* | 690 | 690 | 690 |
| Rated insulation voltage U _i | V | 690* | 690* | 690 | 690 | 690 |
| Rated impulse withstand voltage U _{imp} (sectionable) | kV | 4* | 4* | 8 | 8 | 8 |
| Rated thermal current I _{th} | A | (30*) 32 | 40* | 63* | 86* | 100 |
| Rated thermal current in enclosed I _{the} | A | (30*) 32 | 40* | 63* | 86* | 86 |
| Frequency | Hz | 50 | 50 | 50 | 50 | 50 |

RATED OPERATING CURRENT I_e: alternate current

| | | | | | | | |
|--|------|------|----------------|----------------|-------|---------|---------|
| AC-21A Switching resistive loads with light overloads | 690V | A | (30*) 32 | (32*) 40 | 63* | 80* | 100 |
| AC-22A Switching mixed resistive and inductive loads at light overloads | 500V | A | - | - | - | - | 100 |
| | 690V | A | (20*) 25 | 32* | 63* | 80* | 86 |
| AC-23A Periodic switching of motors 3 phase - 3 poles | 230V | A/kW | 25/7.5 | 32/10 | 50/15 | 63/18,5 | 70/22 |
| | 400V | A/kW | 25/15 | 32/18,5 | 50/30 | 60/33 | 67/37 |
| | 500V | A/kW | 25/15 | 32/22 | 50/37 | 60/40 | 67/45 |
| | 690V | A/kW | (16A*) 20/18,5 | 25*/22 | 32/30 | 35/33 | 38/37 |
| AC3 Starting of cage motors (interruption while running) 3 phase - 3 poles | 230V | A/kW | 22/7.5 | 30/9 | 40/11 | 50/15 | 60/18,5 |
| | 400V | A/kW | 22/11 | 30/15 | 40/22 | 50/25 | 55/30 |
| | 500V | A/kW | 22/11 | 30/18,5 | 40/30 | 50/33 | 55/37 |
| | 690V | A/kW | (12A*) 22/11 | (20A*) 22/18,5 | 25/22 | 27/25 | 32/30 |
| Nominal interruption power AC-23A (cosφ 0,45) | 230V | A | 200 | 256 | 400 | 504 | 560 |
| | 400V | A | 200 | 256 | 400 | 480 | 536 |
| | 500V | A | 200 | 256 | 400 | 480 | 536 |
| | 690V | A | 160 | 200 | 256 | 280 | 304 |

SHORT CIRCUIT CHARACTERISTICS

| | | | | | | |
|---|------|-------|-------|------|----------|------|
| Rated short-time short circuit withstand current I _{cw} (1s) | A | 400* | 400* | 1500 | 1500 | 1500 |
| Rated short circuit making capacity I _{cm} | A | 1500* | 1500* | 2840 | 2840 | 2840 |
| Conditional rated short circuit withstand current | kA | 10* | 10* | 10* | 10* | 10 |
| Fuse rating gG | 500V | A | - | - | - | 100 |
| | 690V | A | 40* | 40* | (80*) 63 | 80* |

UL 508 CHARACTERISTICS

| | | | | | | | |
|----------------------|------------------------|-----------------|----------|---------|----------|----------|---------|
| General use | 600V ac | A | 32 | 40 | 63 | 80 | 100 |
| Standard motors load | Single phase - 2 poles | 120V ac HP(FLA) | 1,5 (20) | 2 (24) | 3 (34) | 3(34) | 3 (34) |
| | | 240V ac HP(FLA) | 3 (17) | 5 (28) | 7,5 (40) | 7,5 (40) | 10 (50) |
| | 3 phase - 3 poles | 240V ac HP(FLA) | 7,5 (22) | 10 (28) | 10 (28) | 10 (28) | 10 (28) |
| | | 480V ac HP(FLA) | 10 (14) | 15 (21) | 20 (27) | 25 (34) | 25 (34) |
| | | 600V ac HP(FLA) | 15 (17) | 20 (22) | 25 (27) | 30 (32) | 30 (32) |

* IMQ values

Regolus

Switch - Disconnectors - SE Series

General characteristics



AUTOMATION TECHNOLOGIES

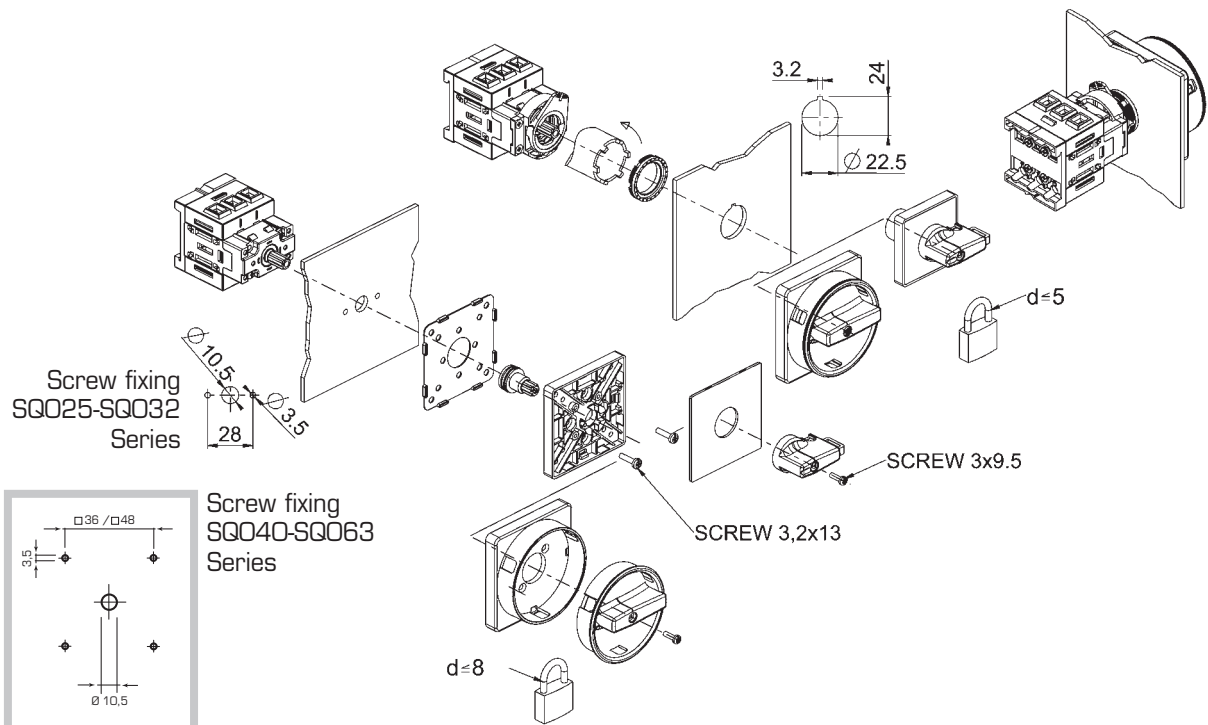
| | | IEC947-3, EN60947-3, UL508 | | | | |
|----------------------------|---|--|------------------|----------------------|------------|-----|
| | | SE16 - SE32 | | SE63 - SE80 - SE100 | | |
| ■ Comply with rules | Protection class | control | EN60529 (UL 50♦) | | | |
| | | terminals | EN60529 | | | |
| ■ | Material group | EN60947-1 | | | | |
| ■ | Pollution grade | EN60947-1 | | | | |
| ■ | Flammability | UL94 | | | | |
| ■ | Ambient temperature | °C | | | | |
| | | °C | | | | |
| ■ | Climate withstand | IEC68 part 2-3 | | | | |
| | | IEC68 part 2-30 | | | | |
| ■ | Switching force (3 poles) | 0,6 Nm (5,3 lb.in.) | | 1,5 Nm (13,3 lb.in.) | | |
| ■ | Connections: | | | | | |
| | Terminal block caliber | A6 | | A8 | | |
| | Terminal screw | M4 | | M5 | | |
| | Screwing torque | 1,2 Nm | | 3 Nm | | |
| | | 11,5 lb.in. (1,3 Nm) | | 32 lb.in. (3,6 Nm) | | |
| ■ | Connectable section: | | | | | |
| | Flexible conductors | n°. 1 min/max | mm ² | 1,5-10 | 6-25 | |
| | | AWG | | 16-8 | 10-2 | |
| | Solid conductors | n°. 1 min/max | mm ² | 1,5-16 | 10-35 | |
| | | AWG | | 16-8 | 10-2 | |
| ■ | Contacts | Slow opening double-break - Positive opening | | | | |
| ■ | Opening angles | 90° | | 90° | | |
| ■ | Mechanical lifetime at 120 operations per hour mil/cl | nr. of cycles | | 0,1 | | 0,1 |
| CERTIFICATIONS | | | | | | |
| ■ | CE | CE mark - Europa | | | | |
| ■ | cUL | cUL Listed - Usa and Canada | | | | |
| ■ | IMG | IMG Istituto Marchio Qualità - Italia | | | | |
| ■ | CCC | CCC Cina | | | | |
| ■ | GOST | GOST Russia | | | | |
| ♦ See p/n devices | | ■ Comply to the requirements by passed test | | | ● Approved | |

Regolus

Switch - Disconnectors

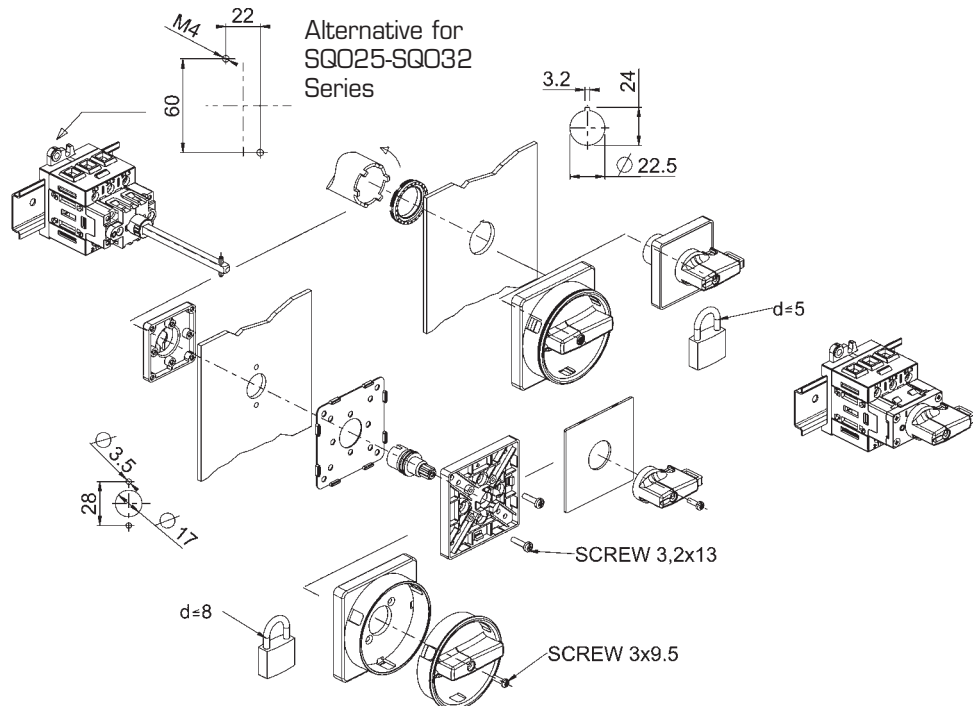
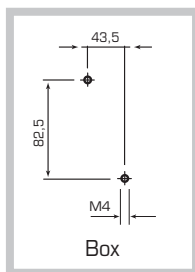
SQ025-SQ063 Series - Mounting instructions

PANEL MOUNTING EXECUTION



BOX EXECUTION

Alternative for SQ040-SQ063 Series



Regolus

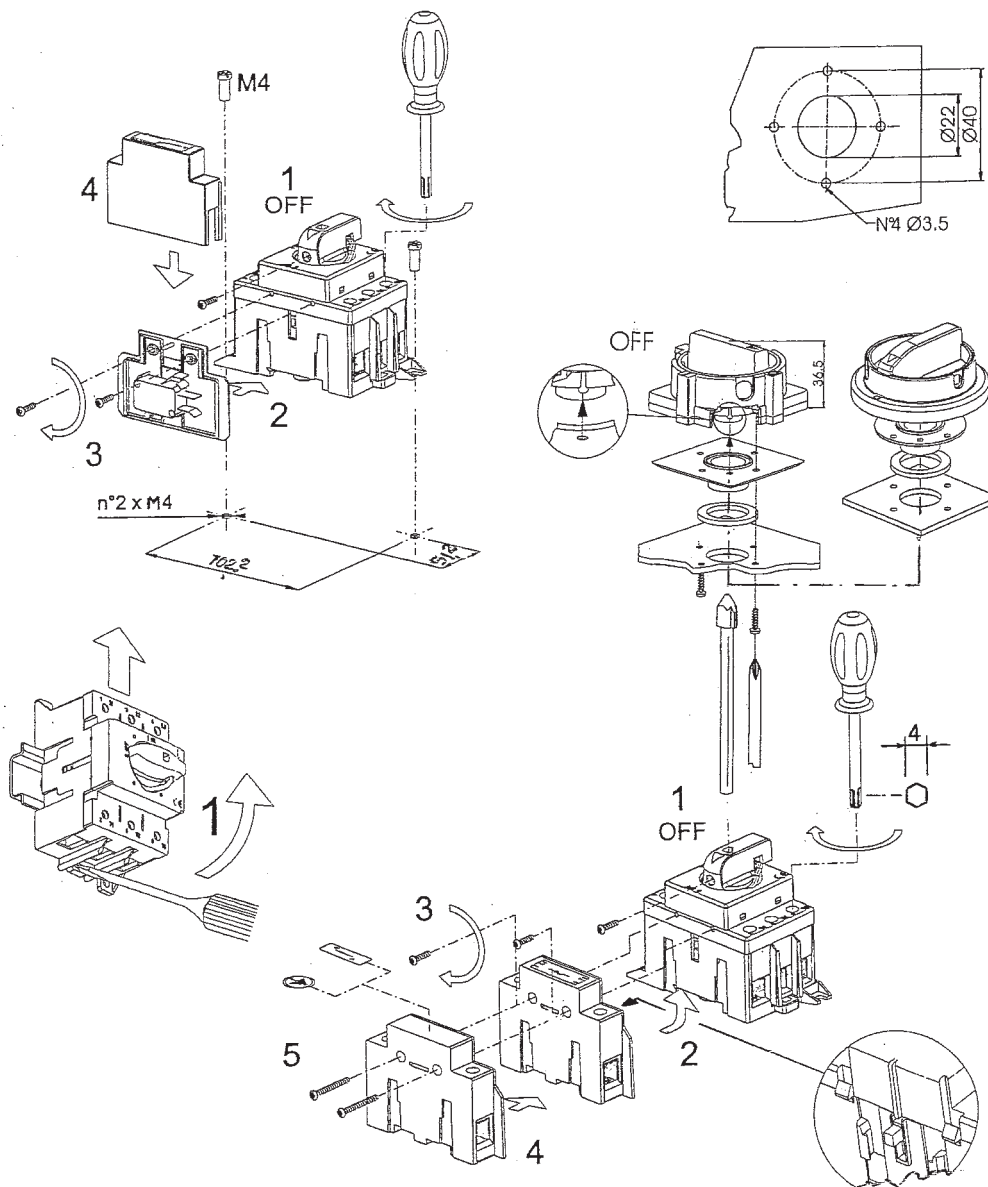
Switch - Disconnectors

SQ125-SQ160 Series - Mounting instructions



AUTOMATION TECHNOLOGIES

PANEL MOUNTING EXECUTION

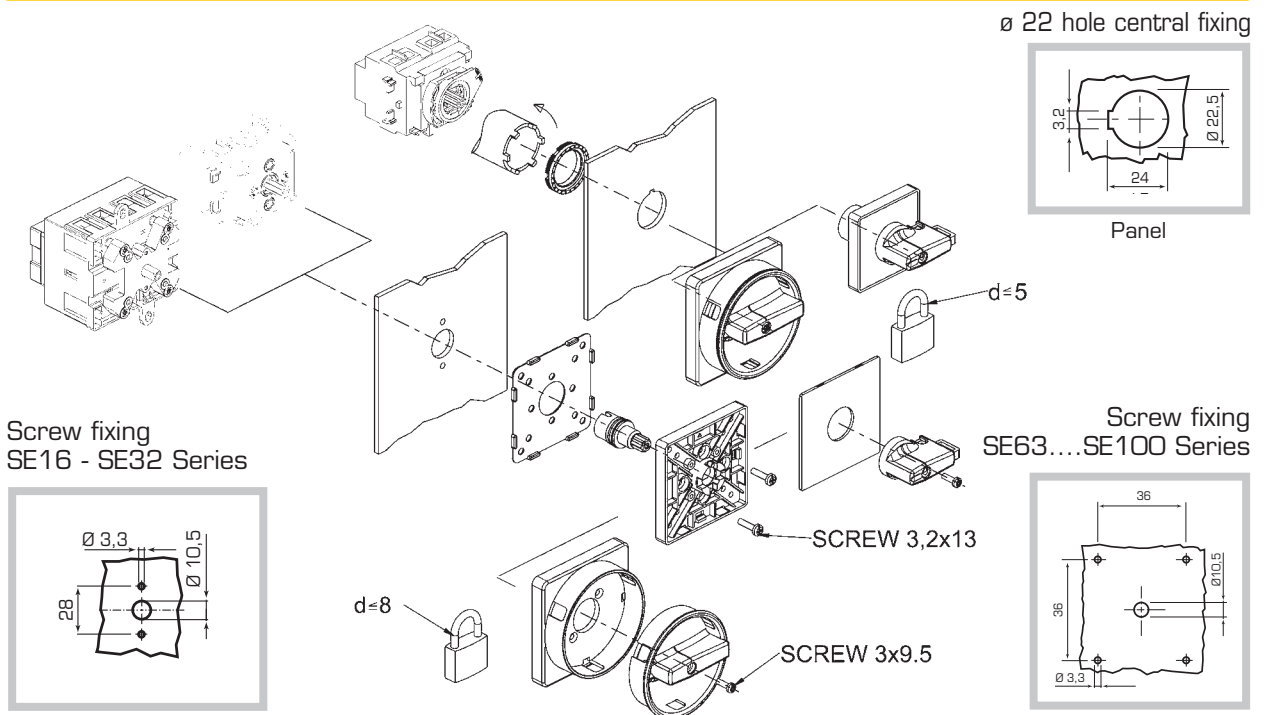


Regolus

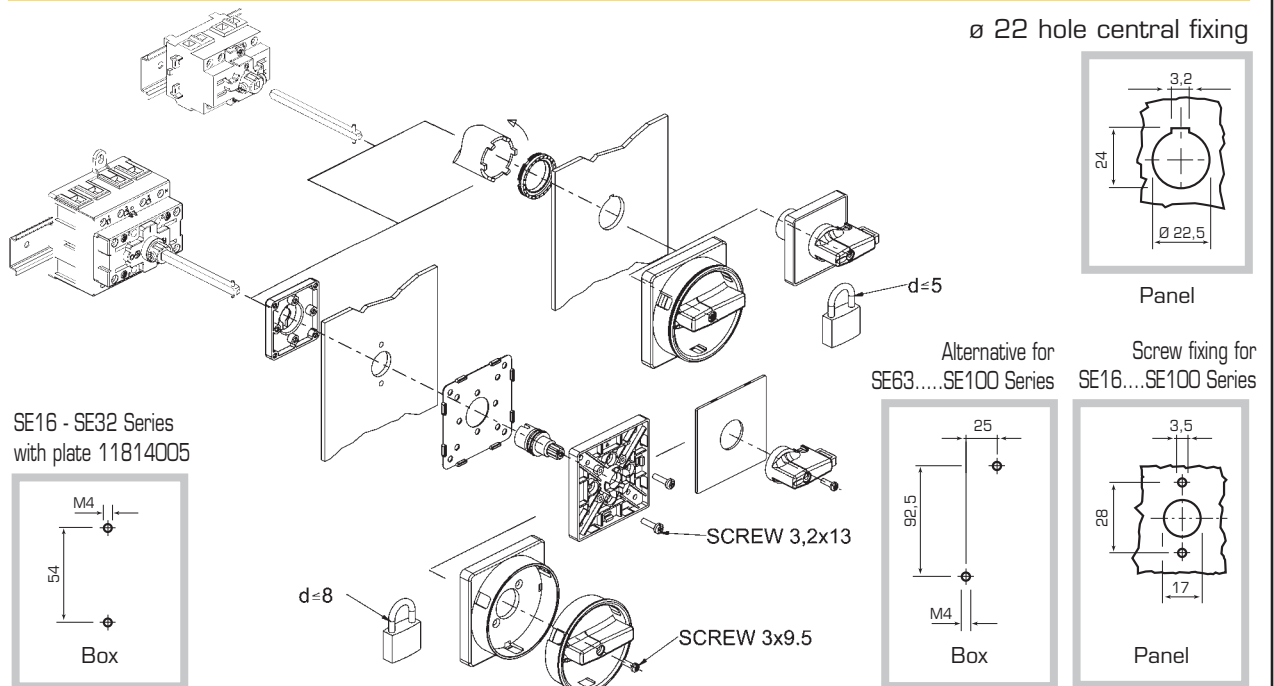
Switch - Disconnectors

SE Series - Mounting instructions

PANEL MOUNTING EXECUTION



ENCLOSURE EXECUTION



Regolus

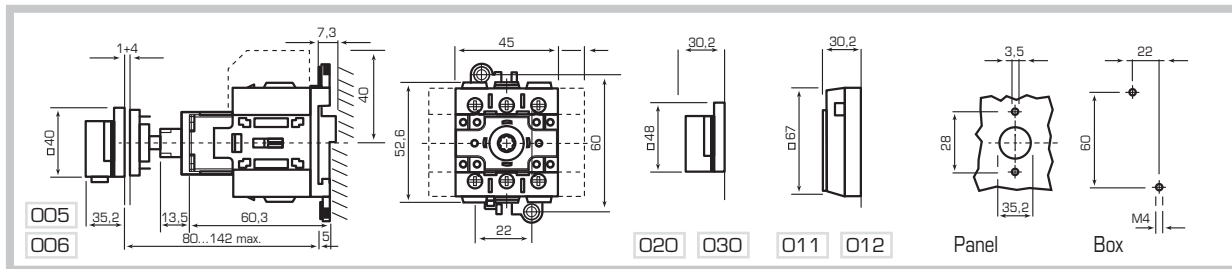
Switch - Disconnectors

SQ025 SQ032 Series - Dimensions

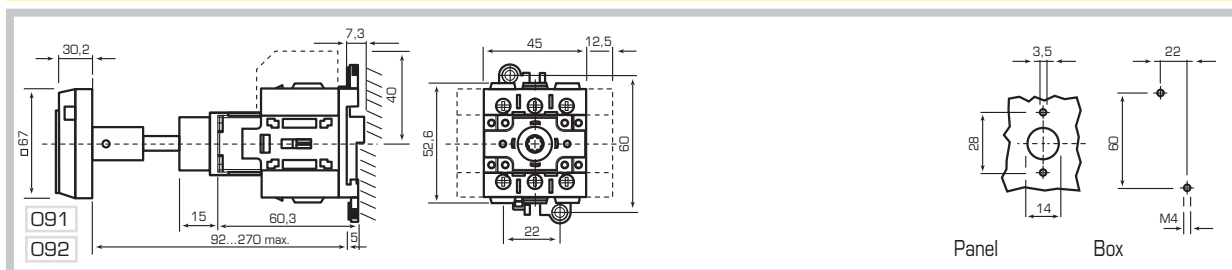


AUTOMATION TECHNOLOGIES

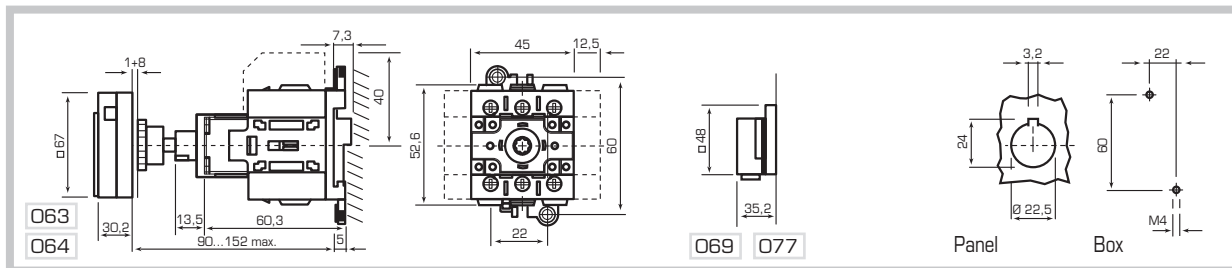
Type B box fixing for door interlock - Command with screws fixing



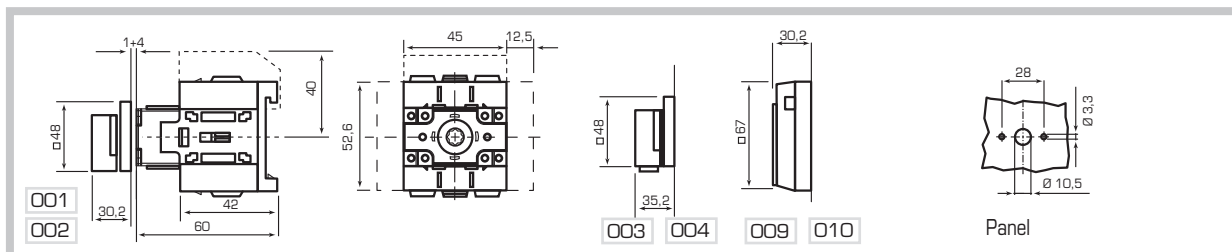
Type K box fixing for door interlock - Command with screws fixing



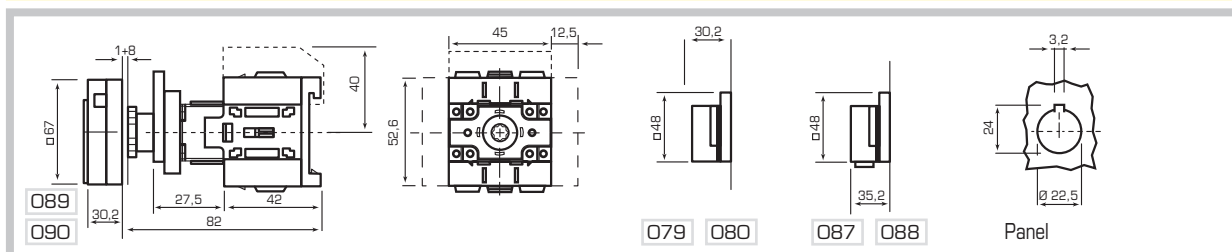
Type B box fixing for door interlock - Command central fixing ø 22



Type R rear panel mounting - Command with screws fixing



Type S rear panel mounting - Command central fixing ø 22

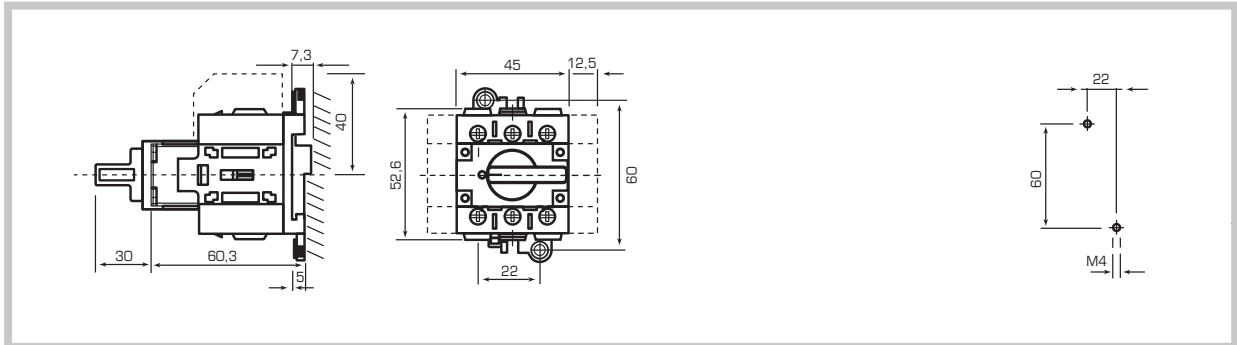


Regolus

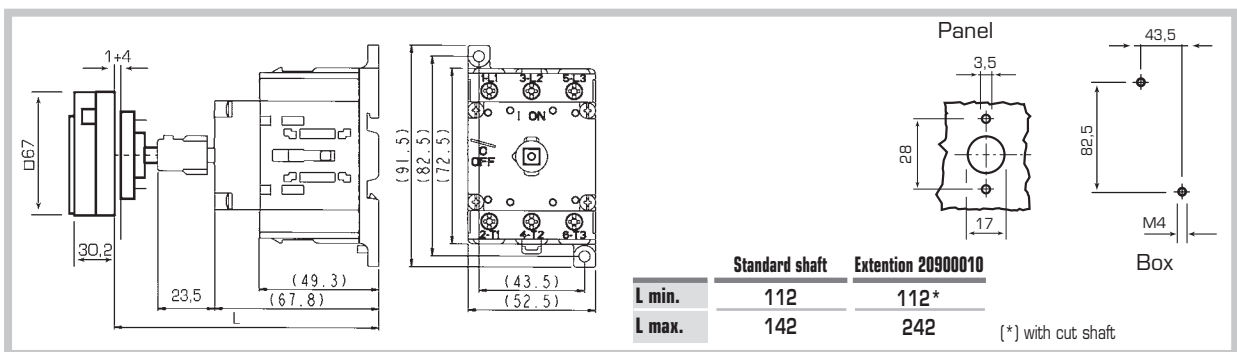
Switch - Disconnectors

SQ025-SQ032 SQ040-SQ063 Series - Dimensions

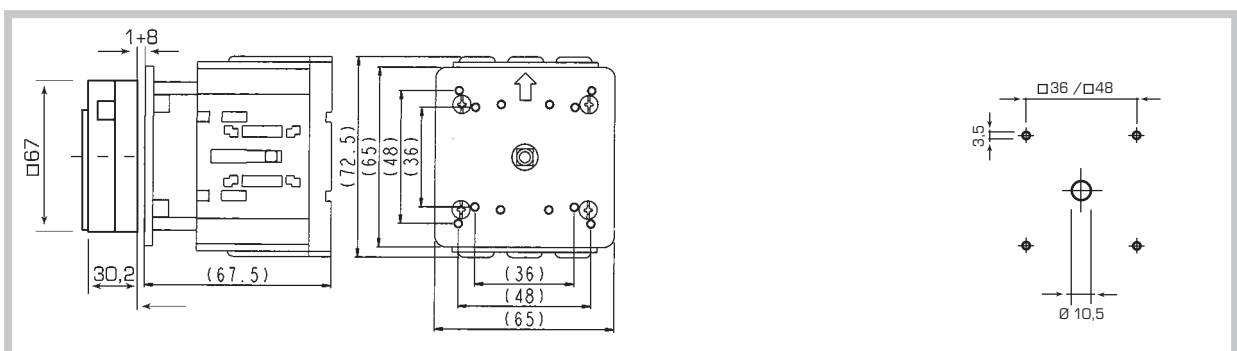
Type D-L1N direct command box fixing - SQ025 SQ032 Series



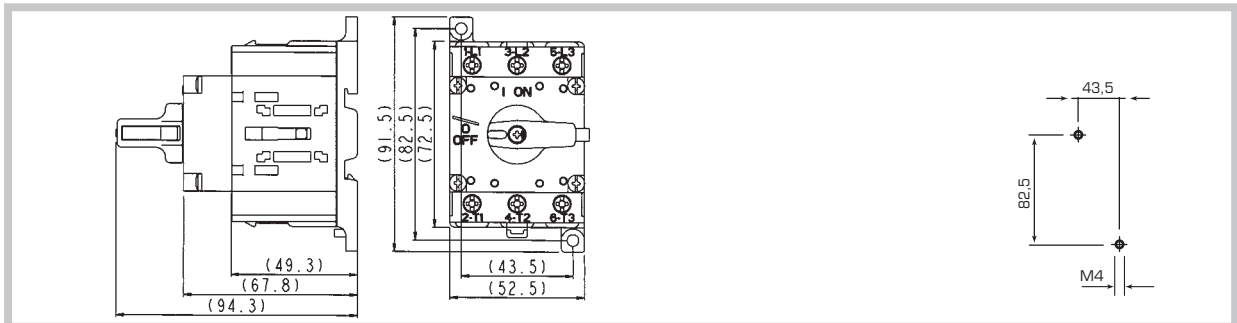
Type B box fixing for door interlock - SQ040-SQ063 Series



Type R rear panel mounting - SQ040-SQ063 Series



Type D-L2N direct command box fixing - SQ040-SQ063 Series



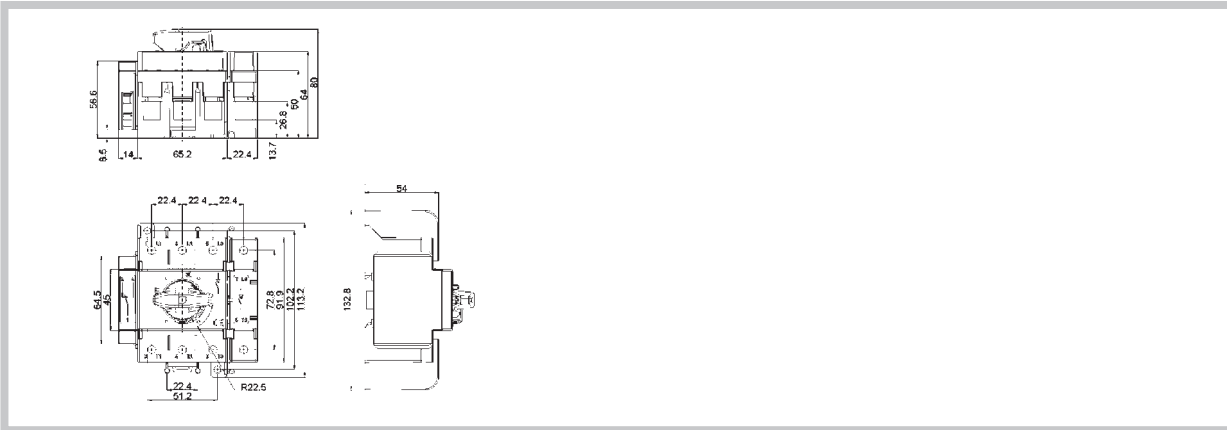
Regolus

Switch - Disconnectors SQ125-SQ160 Series - Dimensions

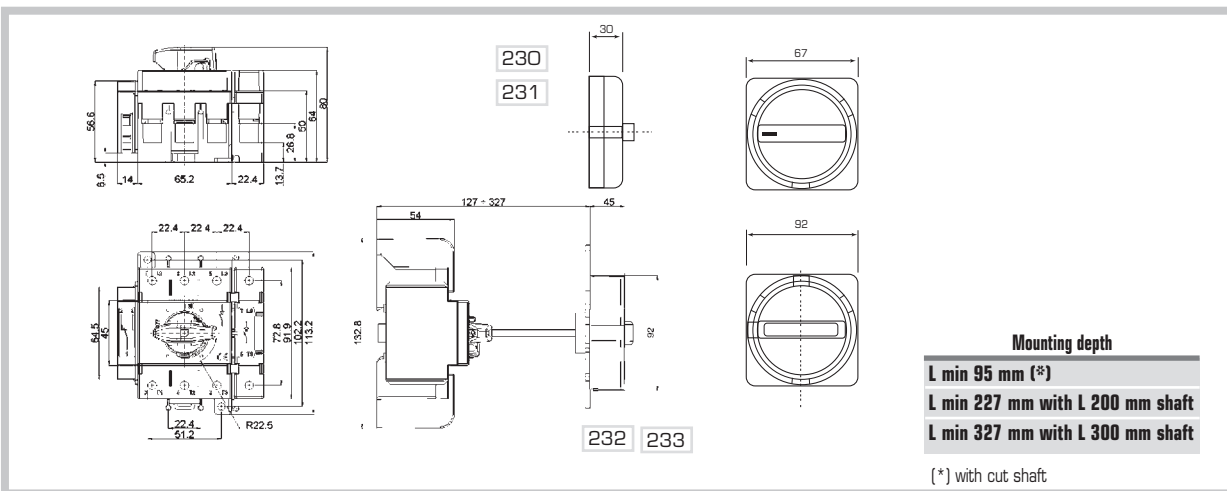


AUTOMATION TECHNOLOGIES

Type D-L2N direct command box fixing



Box fixing for door interlock



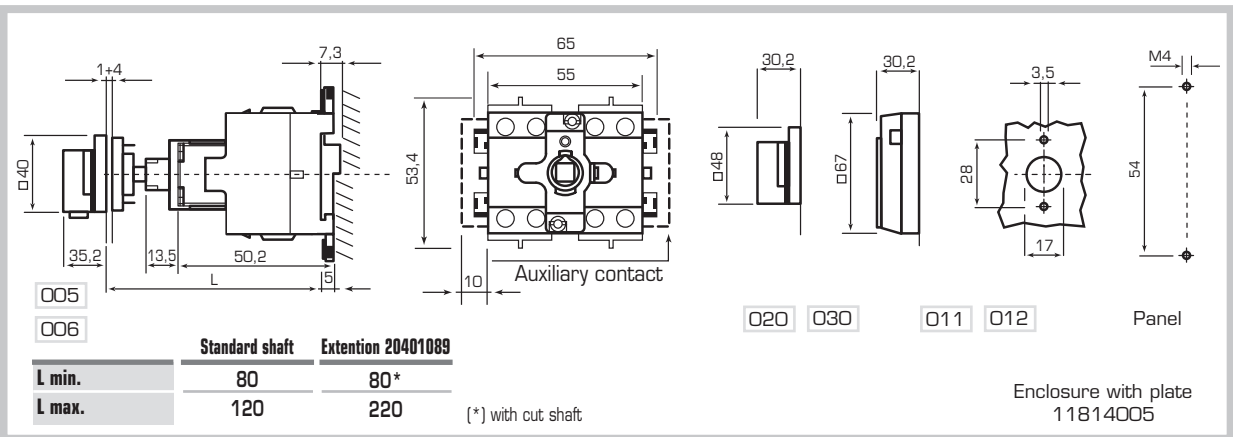
Regolus

Switch - Disconnectors

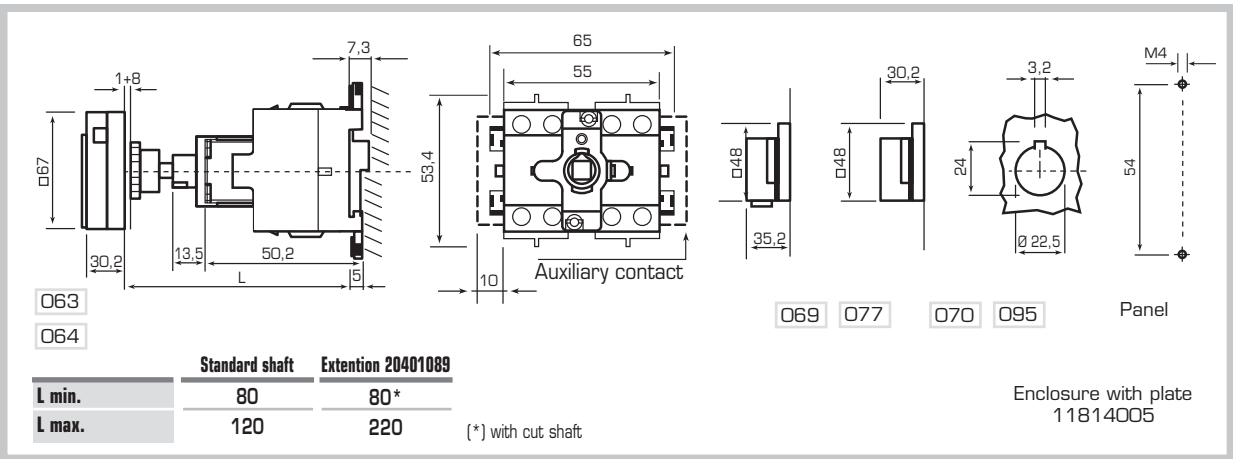
SE16 - SE100 Series - Dimensions

TYPE B BOX FIXING FOR DOOR INTERLOCK

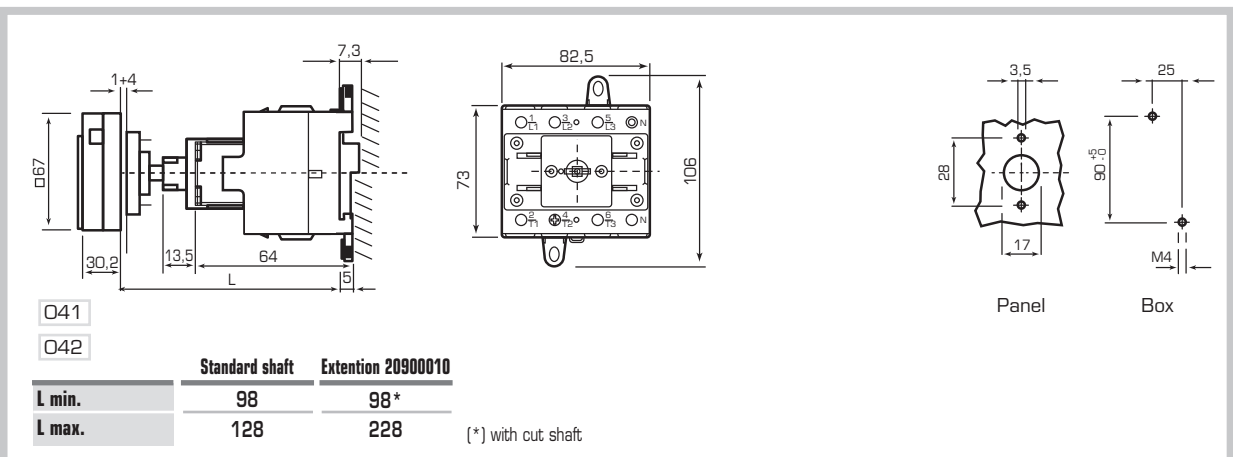
SE16 - SE32 Series with screws fixing



SE16 - SE32 Series with central fixing $\varnothing 22$



SE63 - SE100 Series with screws fixing



Regolus

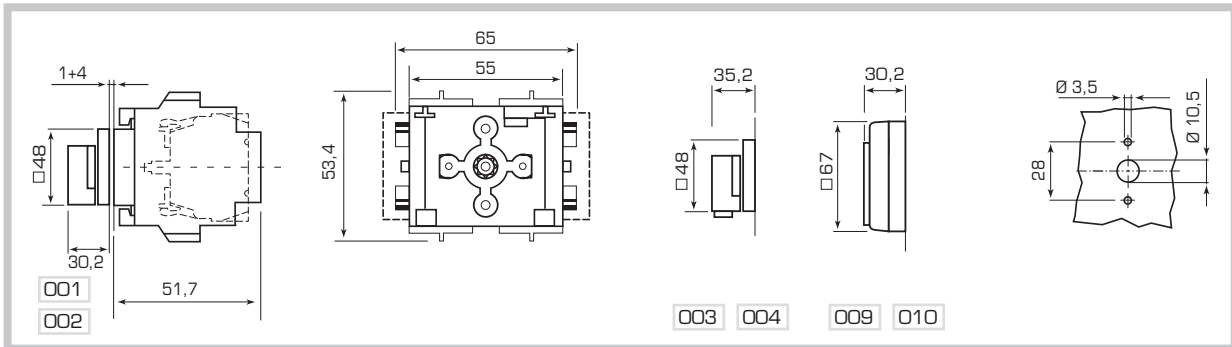
Switch - Disconnectors

SE16 - SE100 Series - Dimensions

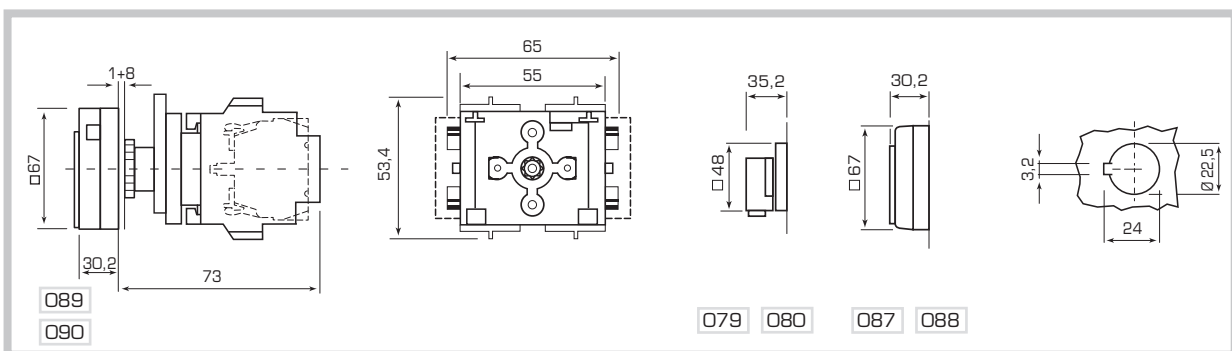


AUTOMATION TECHNOLOGIES

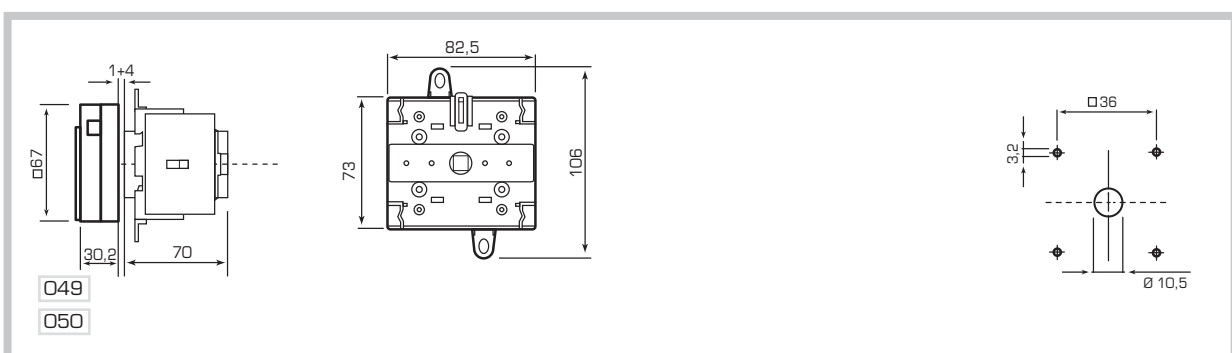
Type R rear panel mounting - Command with screws fixing SE16-SE32 Series



Type S rear panel mounting - Command central fixing $\varnothing 22$ SE16-SE32 Series



Type S rear panel mounting - Command central fixing $\varnothing 22$ SE16-SE32 Series



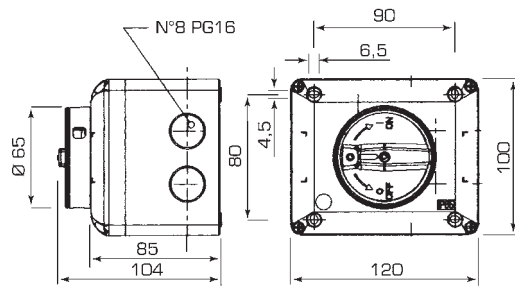
Regolus

Switch - Disconnectors

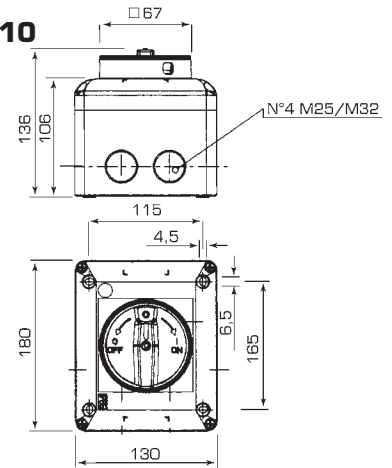
Enclosure installation - Dimensions

ENCLOSURE INSTALLATION

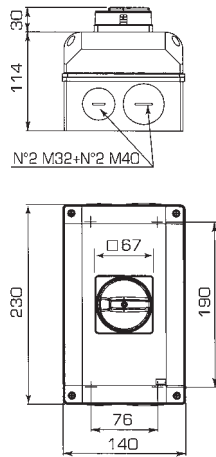
C01 - C09 - C10



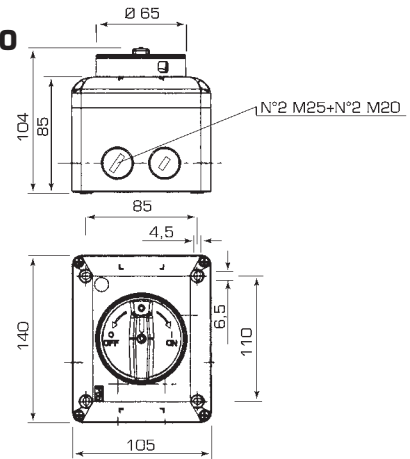
E01 - E09 - E10



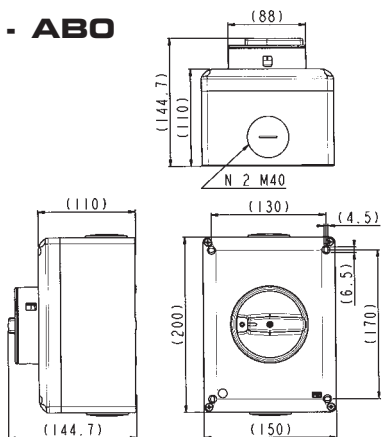
C41 - C42



A09 - A10



AB9 - ABO





GIOVENZANA INTERNATIONAL B.V.

WTC Strawinskylaan 1105, 1077 XX Amsterdam, The Netherlands
Ph. +31(0)20.4413576 - Fax +31(0)20.4413456 - e-mail: giovenzana@giovenzana.com
G.M.K. K.f.t. - 1068 Budapest - Hungary - Rippl Ronai ut. 13
Ph. +36.37.572575 - Fax +36.37.572570 - e-mail: gmk@giovenzana.com

BRANCH

DUBAI U.A.E. P.o. Box 262146
Jafza 17, Ali Free Zone
Ph. +971.4.8870788
Fax +971.4.8870787

MOSCOW Russian Federation
Ulitsa Radio 24 - Yauza Tower 4th floor
Ph. +7.495.6991296 - 6503959
Fax +7.495.6991520

www.giovenzana.com